



# The Premium Pump

## LKH Centrifugal Pump

### Applications

The LKH pump is a highly efficient and economical centrifugal pump, which meets the requirements of sanitary and gentle product treatment and chemical resistance.

LKH is available in the following sizes, LKH-5, -10, -15, -20, -25, -35, -40, -45, -50, -60, -70, -75, and -90

### Standard design

LKH series is designed to deliver safe and hygienic products with fast and economic cleaning to accommodate 3A requirements.

### Shaft seals

The LKH pump is equipped with either an external single or a flushed shaft seal. Both have stationary seal rings made from acid-resistant SS steel, AISI 329. The pump may also be equipped with a double mechanical shaft seal. The static seal face is silicon carbide and the rotary seal face is carbon as standard and optional silicon carbide. The flush seal has a secondary, long life, lip seal.



### TECHNICAL DATA

#### Materials

Product wetted steel parts: . . . . . Acid-resistant steel AISI 316L and AISI 329.  
 Other steel parts: . . . . . Stainless steel AISI 304.  
 Finish, product wetted surface: . . . . . Polished •32Ra. and 3A approved.  
 Product wetted elastomers, std: . . . . . EPDM rubber.  
 Optional . . . . . NBR, FPM, FEP.  
 Single seal SSS . . . . . Sic/c or sic/sic.  
 Double seal DMSS: Primary . . . . . sic/c or sic/sic.  
 Double seal DMSS: Secondary . . . . . sic/c.  
 Noise level (at 3.3 ft.): . . . . . 60 - 85 dB (A).

#### Connections for FSS and DMSS:

R 1/8" (BSP) male thread

#### Motor

Standard C-faced, foot mounted motor according to NEMA standard. 3500 RPM or 1750 RPM. Premium efficiency, Class F. Note different frame sizes.

LKH-75 and -90 only low speed (1750 RPM).

#### Voltage and frequency

3 phase, 60 HZ, 230/460V standard. Other voltages and frequencies available upon request.

### OPERATING DATA

#### Pressure

Max. inlet pressure (dynamic)  
 LKH-5 . . . . . 87 PSI  
 LKH-10 - LKH-60 . . . . . 145 PSI  
 LKH-70 - LKH-90 . . . . . 72.52 PSI

#### Temperature

Temperature range . . . . . 14°F to +284° F (EPDM)

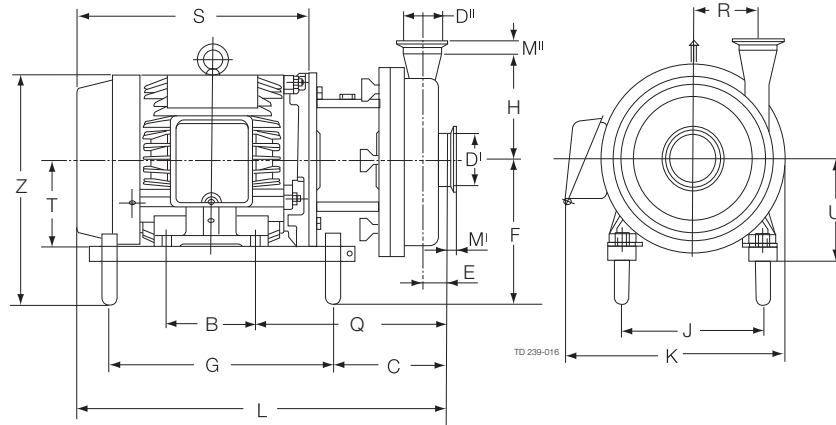
#### Flushed shaft seal:

Water pressure inlet: . . . . . Max. 14.5 PSI.  
 Water consumption: . . . . . 4-8 usgph

#### Double mechanical shaft seal:

Water pressure inlet, LKH-5 to -60: . . . Max. 72.5 PSI.  
 Water pressure inlet, LKH-70 to -90: . . . Max. 43.5 PSI.  
 Water consumption: . . . . . 4-8 usgph

Dimensions (in)

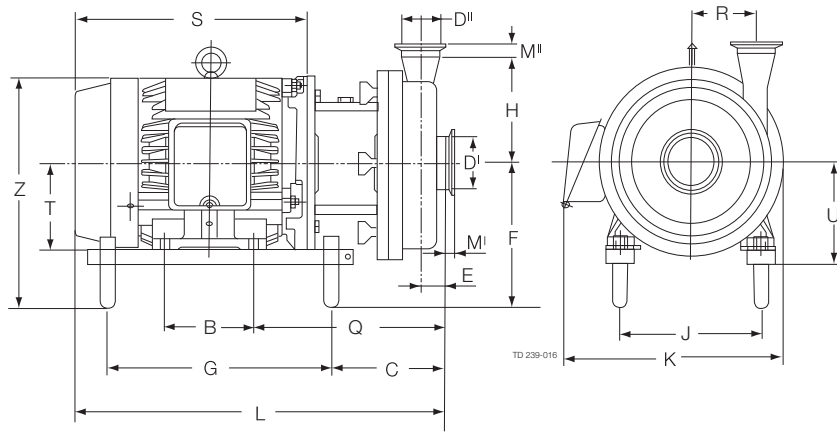


LKH-5 (3600 rpm)

Size	Motor-Sterling				
	1Hp	1.5HP	2Hp	3Hp	5Hp
B	5.00	5.00	5.00	5.50	5.50
C	6.42	6.42	6.42	7.64	7.64
E	0.87	0.87	0.87	0.87	0.87
F	6.18	6.18	6.18	7.18	7.18
G	9.38	9.38	9.38	12.50	12.50
H	6.22	6.22	6.22	6.22	6.22
J	5.51	5.51	5.51	7.48	7.48
Q	9.80	9.80	9.80	11.14	11.14
R	2.76	2.76	2.76	2.76	2.76
S	10.32	10.32	11.46	12.75	13.34
T	3.50	3.50	3.50	4.50	4.50
U	4.00	4.00	4.00	5.00	5.00
Z	9.68	9.68	9.68	11.40	11.40
K	10.00	10.00	10.00	11.22	11.22
L	17.24	17.24	18.38	20.90	21.49
Weight (lbs)	69.00	79.90	79.90	99.90	-

LKH-10 (3600 rpm)

Size	Motor-Sterling						
	1Hp	1.5HP	2Hp	3Hp	5Hp	7.5Hp	10Hp
B	5.00	5.00	5.00	5.50	5.50	5.50	5.50
C	6.04	6.04	6.04	7.28	7.28	8.81	8.81
E	0.91	0.91	0.91	0.91	0.91	0.91	0.91
F	6.18	6.18	6.18	7.18	7.18	7.93	7.93
G	9.38	9.38	9.38	12.50	12.50	14.00	14.00
H	5.79	5.79	5.79	5.79	5.79	5.79	5.79
J	5.51	5.51	5.51	7.48	7.48	8.50	8.50
Q	9.42	9.42	9.42	10.78	10.78	12.31	12.31
R	3.43	3.43	3.43	3.43	3.43	3.43	3.43
S	10.32	10.32	11.46	12.75	13.34	14.03	15.25
T	3.50	3.50	3.50	4.50	4.50	5.25	5.25
U	4.00	4.00	4.00	5.00	5.00	5.75	5.75
Z	9.68	9.68	9.68	11.40	11.40	13.31	13.31
K	10.39	10.39	10.39	11.32	11.32	13.02	13.02
L	16.86	16.86	18.00	20.53	21.12	23.56	24.78
Weight (lbs)	81.00	89.00	91.00	111.00	128.00	179.00	204.00



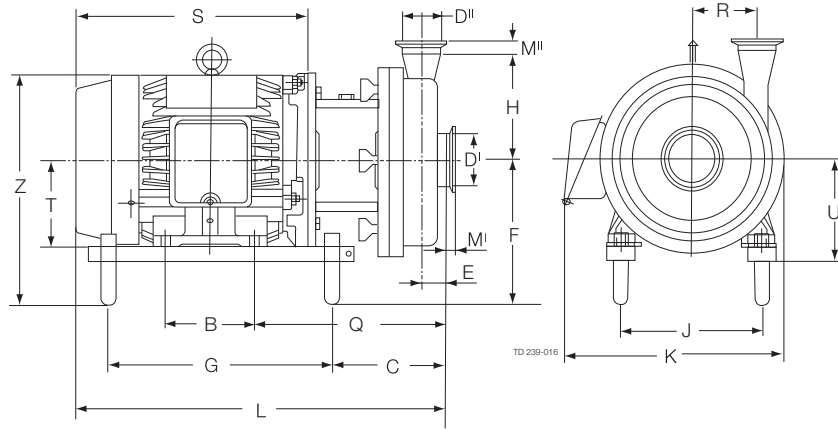
**LKH-15 (3600 rpm)**

Size	Motor-Sterling						
	2Hp	3Hp	5Hp	7.5Hp	10Hp	15Hp	
B	5.00	5.50	5.50	5.50	5.50	8.25	
C	7.17	8.66	8.66	10.20	10.20	12.72	
E	1.69	1.69	1.69	1.69	1.69	1.69	
F	6.18	7.18	7.18	7.93	7.93	8.93	
G	9.38	12.50	12.50	14.00	14.00	14.50	
H	6.54	6.54	6.54	6.54	6.54	6.54	
J	5.51	7.48	7.48	8.50	8.50	10.00	
Q	10.55	12.17	12.17	13.70	13.70	14.96	
R	2.60	2.60	2.60	2.60	2.60	2.60	
S	11.46	12.75	13.34	14.03	15.25	19.40	
T	3.50	4.50	4.50	5.25	5.25	6.25	
U	4.00	5.00	5.00	5.75	5.75	6.75	
Z	9.68	11.40	11.40	13.31	13.31	15.33	
K	10.39	11.54	11.54	13.00	13.00	17.30	
L	19.13	21.93	22.52	24.96	26.18	29.96	
Weight (lbs)	98.00	118.00	135.00	186.00	211.00	304.00	

**Dimensions (in)**

**LKH-20 (3600 rpm)**

Size	Motor-Sterling						
	2Hp	3Hp	5Hp	7.5Hp	10Hp	15Hp	20Hp
B	5.00	5.50	5.50	5.50	5.50	8.25	8.25
C	6.52	7.75	7.75	9.28	9.28	11.78	11.78
E	1.06	1.06	1.06	1.06	1.06	1.06	1.06
F	6.18	7.18	7.18	7.93	7.93	8.93	8.93
G	9.38	12.50	12.50	14.00	14.00	14.50	14.50
H	7.09	7.09	7.09	7.09	7.09	7.09	7.09
J	5.51	7.48	7.48	8.50	8.50	10.00	10.00
Q	9.90	11.25	11.25	12.78	12.78	14.03	14.03
R	3.46	3.46	3.46	3.46	3.46	3.46	3.46
S	11.46	12.75	13.34	14.03	15.25	19.40	21.10
T	3.50	4.50	4.50	5.25	5.25	6.25	6.25
U	4.00	5.00	5.00	5.75	5.75	6.75	6.75
Z	9.68	11.40	11.40	13.31	13.31	15.33	15.33
K	10.51	11.44	11.44	13.02	13.02	17.30	17.30
L	18.48	21.00	21.59	24.03	25.25	29.03	30.73
Weight (lbs)	95.00	115.00	132.00	183.00	208.00	301.00	-



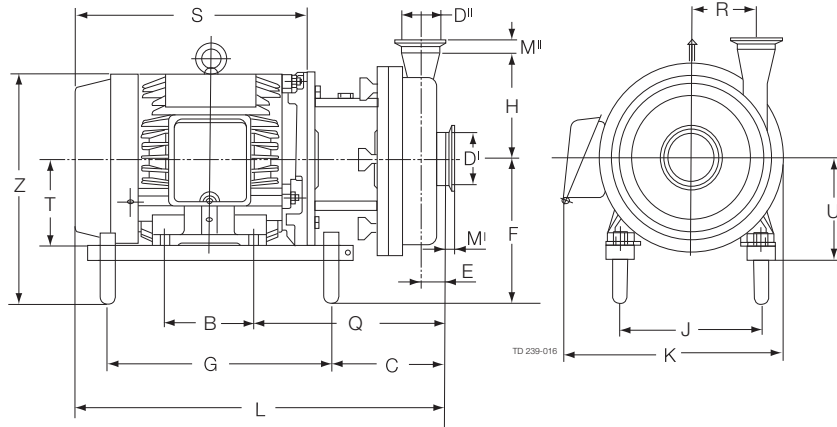
**LKH-25 (3600 rpm)**

Size	Motor-Sterling							
	3Hp	5Hp	7.5Hp	10Hp	15Hp	20Hp	25Hp	30Hp
B	5.50	5.50	5.50	5.50	8.25	8.25	10.00	10.00
C	7.96	7.96	9.49	9.49	12.00	12.00	12.46	12.46
E	1.26	1.26	1.26	1.26	1.26	1.26	1.26	1.26
F	7.18	7.18	7.93	7.93	8.93	8.93	9.68	9.68
G	12.50	12.50	14.00	14.00	14.50	14.50	15.51	15.51
H	7.60	7.60	7.60	7.60	7.60	7.60	7.60	7.60
J	7.48	7.48	8.50	8.50	10.00	10.00	11.00	11.00
Q	11.47	11.47	12.99	12.99	14.24	14.24	14.70	14.70
R	4.17	4.17	4.17	4.17	4.17	4.17	4.17	4.17
S	12.75	13.34	14.03	15.25	19.40	21.10	22.28	23.78
T	4.50	4.50	5.25	5.25	6.25	6.25	7.00	7.00
U	5.00	5.00	5.75	5.75	6.75	6.75	7.50	7.50
Z	11.40	11.40	13.31	13.31	15.33	15.33	17.51	17.51
K	12.42	12.42	13.61	13.61	17.30	17.30	21.24	21.24
L	21.22	21.81	24.25	25.47	29.25	30.95	32.13	33.63
Weight (lbs)	125.00	142.00	193.00	218.00	311.00	361.00	442.00	473.00

**LKH-35 (3600 rpm)**

Size	Motor-Sterling							
	3Hp	5Hp	7.5Hp	10Hp	15Hp	20Hp	25Hp	30Hp
B	5.50	5.50	5.50	5.50	8.25	8.25	10.00	10.00
C	7.37	7.37	8.90	8.90	11.41	11.41	11.87	11.87
E	0.91	0.91	0.91	0.91	0.91	0.91	0.91	0.91
F	7.18	7.18	7.93	7.93	8.93	8.93	9.68	9.68
G	12.50	12.50	14.00	14.00	14.50	14.50	15.51	15.51
H	7.60	7.60	7.60	7.60	7.60	7.60	7.60	7.60
J	7.48	7.48	8.50	8.50	10.00	10.00	11.00	11.00
Q	10.88	10.88	12.41	12.41	13.65	13.65	14.11	14.11
R	4.69	4.69	4.69	4.69	4.69	4.69	4.69	4.69
S	12.75	13.34	14.03	15.25	19.40	21.10	22.28	23.78
T	4.50	4.50	5.25	5.25	6.25	6.25	7.00	7.00
U	5.00	5.00	5.75	5.75	6.75	6.75	7.50	7.50
Z	11.40	11.40	13.31	13.31	15.33	15.33	17.51	17.51
K	12.42	12.42	13.60	13.60	17.30	17.30	21.24	21.24
L	20.63	21.22	23.66	24.88	28.66	30.36	31.54	33.04
Weight (lbs)	121.00	138.00	189.00	214.00	307.00	357.00	438.00	469.00

Dimensions (in)



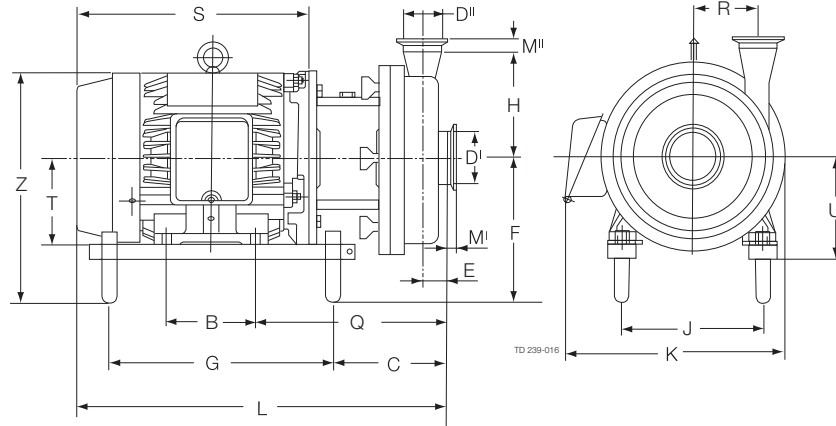
LKH-40 (3600 rpm)

Size	Motor-Sterling							
	3Hp	5Hp	7.5Hp	10Hp	15Hp	20Hp	25Hp	30Hp
B	5.50	5.50	5.50	5.50	8.25	8.25	10.00	10.00
C	7.79	7.79	9.32	9.32	11.82	11.82	12.28	12.28
E	1.10	1.10	1.10	1.10	1.10	1.10	1.10	1.10
F	7.18	7.18	7.93	7.93	8.93	8.93	9.68	9.68
G	12.50	12.50	14.00	14.00	14.50	14.50	15.51	15.51
H	8.35	8.35	8.35	8.35	8.35	8.35	8.35	8.35
J	7.48	7.48	8.50	8.50	10.00	10.00	11.00	11.00
Q	11.29	11.29	12.82	12.82	14.07	14.07	14.53	14.53
R	4.96	4.96	4.96	4.96	4.96	4.96	4.96	4.96
S	12.75	13.34	14.03	15.25	19.40	21.10	22.28	23.78
T	4.50	4.50	5.25	5.25	6.25	6.25	7.00	7.00
U	5.00	5.00	5.75	5.75	6.75	6.75	7.50	7.50
Z	11.40	11.40	13.31	13.31	15.33	15.33	17.51	17.51
K	12.95	12.95	14.12	14.12	17.30	17.30	21.24	21.24
L	21.04	21.63	24.07	25.29	29.07	30.77	31.95	33.45
Weight (lbs)	130.00	147.00	198.00	223.00	316.00	366.00	447.00	487.00

LKH-45 (3600 rpm)

Size	Motor-Sterling							
	3Hp	5Hp	7.5Hp	10Hp	15Hp	20Hp	25Hp	30Hp
B	5.50	5.50	5.50	5.50	8.25	8.25	10.00	10.00
C	8.52	8.52	10.05	10.05	12.55	12.55	13.01	13.01
E	1.59	1.59	1.59	1.59	1.59	1.59	1.59	1.59
F	7.18	7.18	7.93	7.93	8.93	8.93	9.68	9.68
G	12.50	12.50	14.00	14.00	14.50	14.50	15.51	15.51
H	7.60	7.60	7.60	7.60	7.60	7.60	7.60	7.60
J	7.48	7.48	8.50	8.50	10.00	10.00	11.00	11.00
Q	12.02	12.02	13.55	13.55	14.49	14.49	15.25	15.25
R	3.88	3.88	3.88	3.88	3.88	3.88	3.88	3.88
S	12.75	13.34	14.03	15.25	19.40	21.10	22.28	23.78
T	4.50	4.50	5.25	5.25	6.25	6.25	7.00	7.00
U	5.00	5.00	5.75	5.75	6.75	6.75	7.50	7.50
Z	11.40	11.40	13.31	13.31	15.33	15.33	17.51	17.51
K	12.42	12.42	13.60	13.60	17.30	17.30	21.24	21.24
L	21.77	22.36	24.80	26.02	29.80	31.50	32.68	34.18
Weight (lbs)	127.00	144.00	195.00	220.00	313.00	363.00	444.00	475.00

Dimensions (in)



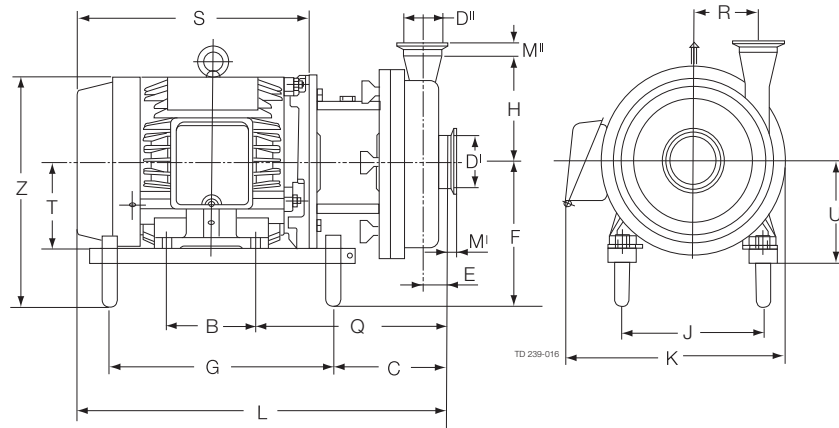
LKH-50 (3600 rpm)

Size	Motor-Sterling							
	3Hp	5Hp	7.5Hp	10Hp	15Hp	20Hp	25Hp	30Hp
B	5.50	5.50	5.50	5.50	8.25	8.25	10.00	10.00
C	8.29	8.29	9.82	9.82	12.32	12.32	12.78	12.78
E	1.38	1.38	1.38	1.38	1.38	1.38	1.38	1.38
F	7.18	7.18	7.93	7.93	8.93	8.93	9.68	9.68
G	12.50	12.50	14.00	14.00	14.50	14.50	15.51	15.51
H	8.07	8.07	8.07	8.07	8.07	8.07	8.07	8.07
J	7.48	7.48	8.50	8.50	10.00	10.00	11.00	11.00
Q	11.79	11.79	13.32	13.32	14.57	14.57	15.03	15.03
R	4.65	4.65	4.65	4.65	4.65	4.65	4.65	4.65
S	12.75	13.34	14.03	15.25	19.40	21.10	22.28	23.78
T	4.50	4.50	5.25	5.25	6.25	6.25	7.00	7.00
U	5.00	5.00	5.75	5.75	6.75	6.75	7.50	7.50
Z	11.40	11.40	13.31	13.31	15.33	15.33	17.51	17.51
K	12.95	12.95	14.12	14.12	17.30	17.30	21.24	21.24
L	21.54	22.13	24.57	25.79	29.57	31.27	32.45	33.95
Weight (lbs)	130.00	147.00	198.00	223.00	316.00	366.00	447.00	487.00

LKH-60 (3600 rpm)

Size	Motor-Sterling							
	7.5Hp	10Hp	15Hp	20Hp	25Hp	30Hp	40Hp	50Hp
B	5.50	5.50	8.25	8.25	10.00	10.00	10.50	10.50
C 4x4	10.96	10.96	13.47	13.47	13.93	13.95	10.55	10.55
C 6x4	12.55	12.55	15.05	15.05	15.51	15.51	12.14	12.14
E 4x4	2.66	2.66	2.66	2.66	2.66	2.66	2.66	2.66
E 6x4	4.25	4.25	4.25	4.25	4.25	4.25	4.25	4.25
F	7.93	7.93	8.93	8.93	9.68	9.68	11.23	11.23
G	14.00	14.00	14.50	14.50	15.51	15.51	21.00	21.00
H	10.29	10.29	10.29	10.29	10.29	10.29	10.29	10.29
J	8.50	8.50	10.00	10.00	11.00	11.00	12.50	12.50
Q 4x4	14.46	14.46	15.71	15.71	16.17	16.17	16.57	16.57
Q 6x4	16.05	16.05	17.29	17.29	17.75	17.75	18.15	18.15
R	3.95	3.95	3.95	3.95	3.95	3.95	3.95	3.95
S	14.03	15.25	19.40	21.10	22.28	23.78	24.57	24.07
T	5.25	5.25	6.25	6.25	7.00	7.00	8.00	8.00
U	5.75	5.75	6.75	6.75	7.50	7.50	8.79	8.79
Z	13.31	13.31	15.33	15.33	17.51	17.51	19.89	19.89
K	14.12	14.12	17.30	17.30	21.24	21.24	23.03	23.03
L 4x4	24.24	25.46	30.72	32.42	33.60	35.10	35.89	35.39
L 6x4	25.83	27.05	32.30	34.00	35.18	36.68	37.47	36.97
Weight (lbs)	209.00	228.00	321.00	371.00	452.00	483.00		

Dimensions (in)



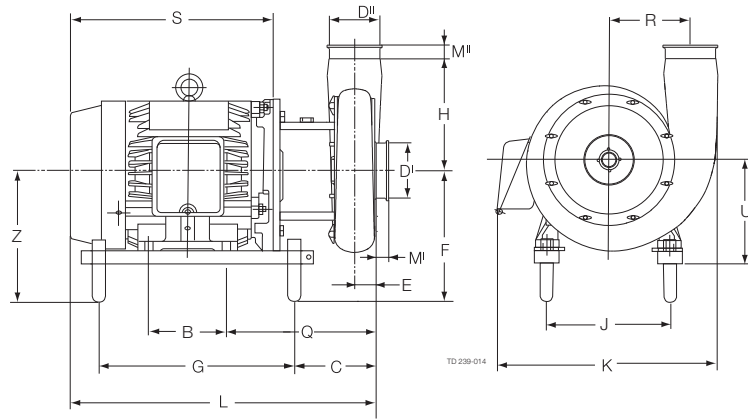
LKH-70 (3600 rpm)

Size	Motor-Sterling									
	15Hp	20Hp	25Hp	30Hp	40Hp	50Hp	60Hp	75Hp	100Hp	
B	8.25	10.00	9.50	11.00	10.50	12.00	11.25	12.25	13.75	
C	11.87	11.87	12.38	12.38	12.13	12.13	12.13	12.13	12.87	
E	0.98	0.98	0.98	0.98	0.98	0.98	0.98	0.98	0.98	
F	7.88	7.88	8.63	8.63	12.92	12.92	13.92	13.92	14.92	
G	14.50	14.50	15.50	15.50	21.00	21.00	21.00	21.00	21.00	
H	10.00	10.00	10.00	10.00	10.00	10.00	10.00	10.00	10.00	
J	10.00	10.00	11.00	11.00	12.50	12.50	14.00	14.00	16.00	
Q	14.13	14.13	14.62	14.62	15.13	15.13	15.75	15.75	16.50	
R	5.79	5.79	5.79	5.79	5.79	5.79	5.79	5.79	5.79	
S	19.4	21.1	22.27	23.77	24.45	26.07	26.67	27.65	33.87	
T	6.25	6.25	7.00	7.00	8.00	8.00	9.00	9.00	10.00	
U	6.88	6.88	7.63	7.63	8.79	8.79	9.79	9.79	10.79	
Z	14.14	14.14	16.6	16.6	20.67	20.67	23.17	23.17	24.53	
K	18.53	18.53	19.91	19.91	21.03	21.03	22.03	22.03	24.03	
L	29.28	30.98	32.14	33.64	34.34	35.95	36.54	37.52	43.75	
Weight (lbs)	-	-	-	-	-	-	-	-	-	

LKH-75 (1800 rpm)

Size	Motor-Sterling						
	15Hp	20Hp	25Hp	30Hp	40Hp	50Hp	
B	8.25	10.00	9.50	11.00	10.50	12.00	
C	10.96	12.71	11.71	13.21	9.94	9.94	
E	2.42	2.42	2.42	2.42	2.42	2.42	
F	7.88	7.88	8.63	8.63	12.92	12.92	
G	14.50	14.50	15.50	15.50	21.00	21.00	
H	12.80	12.80	12.80	12.80	12.80	12.80	
J	10.00	10.00	11.00	11.00	12.50	12.50	
Q	14.96	14.96	15.46	15.46	15.96	16.59	
R	9.84	9.84	9.84	9.84	9.84	9.84	
S	19.4	21.1	22.27	23.77	24.45	26.07	
T	6.25	6.25	7.00	7.00	8.00	8.00	
U	6.88	6.88	7.63	7.63	8.79	8.79	
Z	14.14	14.14	16.6	16.6	20.67	20.67	
K	20.01	20.01	22.61	22.61	23.58	23.58	
L	30.11	31.81	32.98	34.48	35.17	37.41	
Weight (lbs)	-	-	-	-	-	-	

Dimensions (in)  
(900315/0)



LKH-90 (1800 rpm)

Size	Motor-Sterling					
	30Hp	40Hp	50Hp	60Hp	75Hp	100Hp
B	11.00	10.50	12.00	11.25	12.25	13.75
C	9.37	9.86	9.86	12.88	12.88	13.87
E	2.56	2.56	2.56	2.56	2.56	2.56
F	11.92	12.92	12.92	13.92	13.92	14.92
G	15.50	21.00	21.00	21.00	21.00	21.00
H	12.20	12.20	12.20	12.20	12.20	12.20
J	11.00	12.50	12.50	14.00	14.00	16.00
Q	15.37	15.87	15.87	16.50	16.50	17.49
R	9.84	9.84	9.84	9.84	9.84	9.84
S	23.77	24.45	26.07	26.67	27.65	33.87
T	7.00	8.00	8.00	9.00	9.00	10.00
U	8.38	8.79	8.79	9.79	9.79	10.79
Z	19.89	20.89	20.89	23.17	23.17	24.53
K	26.16	27.48	27.48	30.44	30.44	33.99
L	34.39	35.08	36.69	37.29	38.27	44.74
Weight (lbs)	939	974	1084	1236	1424	1497

Inlet/Outlet Connections - Tri-Clamp® (inches)

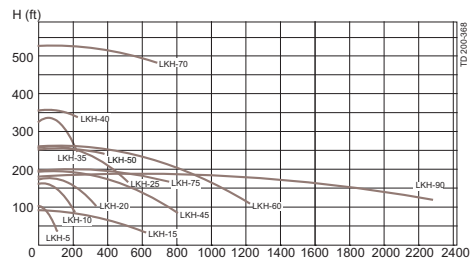
Refer to dimensional drawings

	LKH-5	LKH-10, -20 LKH-35	LKH-25	LKH-40	LKH-15, -45 LKH-50, -70	LKH-60, -75	LKH-60, -70*	LKH-90
D <sup>I</sup>	2.00	2.50	3.00	3.00	4.00	4.00	6.00	6.00
D <sup>II</sup>	1.50	2.00	2.50	2.00	3.00	4.00	4.00	6.00
M <sup>I</sup>	1.13	1.13	1.13	1.13	1.13	1.13	1.50	1.5
M <sup>II</sup>	1.13	1.13	1.13	1.13	1.13	1.13	1.13	1.5

\*= LKH-60, 70 are with reducer on D<sup>I</sup>



**Technical Data**  
**Volumetric Flow**



**Options**

- A. Impeller with reduced diameter.
- B. Motor enclosures: washdown, TEFC, explosion proof, inverter duty and others upon request.
- C. Inducer (only LKH-10 to -50).
- D. Flushed shaft seal.
- E. Double mechanical shaft seal.
- F. Counter flanges, seal rings and bolts for flanged connections (industrial version).
- G. Standard clearance is 0.02" (0.04" for LKH-70 to LKH-90) and can be made up to 0.098").

**Material grades**

- H. Product wetted seals of Buna (NBR), Fluoroelastomer (FPM) or FEP.
- I. Rotating seal ring of silicon carbide.

**Ordering**

Please state the following when ordering:

- Pump size.
- Version, sanitary or industrial.
- Connections.
- Seal and Elastomer Type
- Impeller diameter.
- Motor size.
- Voltage and frequency.
- Flow, pressure and temperature.
- Density and viscosity of the product.
- Options.